

NBLB TARGET FLOW METER

Summary

NBLB target flowmeter adopts a new force - torque tube – rotation angle conversion mechanism. The rotation angle transferred by the torque tube, and then measured through the high-precision Hall sensor, to output the voltage signal corresponding to the flow rate change and standard 4mA~20mA square (linear) current analog signal. The instrument working chambers are isolated. It's security and reliable by using the non-contact angle measurement technology to avoid the strain sensor's force deformation .



Operating Principle

After the target 2 is subjected to force, the torque tube 7 is torsional through the target rod 1, and the corrugated tube 5 connected with the drive spindle 3 is driven to rotate. The rotation of the corrugated tube 5 drives the rotation of the magnetic steel components 6. The sensor part detects the change of the rotation angle of the magnetic steel components 6, and the signal processing conversion circuit calculates the corresponding flow value and converts it into the 4~20mA standard signal output according to the inputted angular scalar and the calibrated flow value. Finally, it realizes the flow measurement process (see Fig.1, Fig. 2).

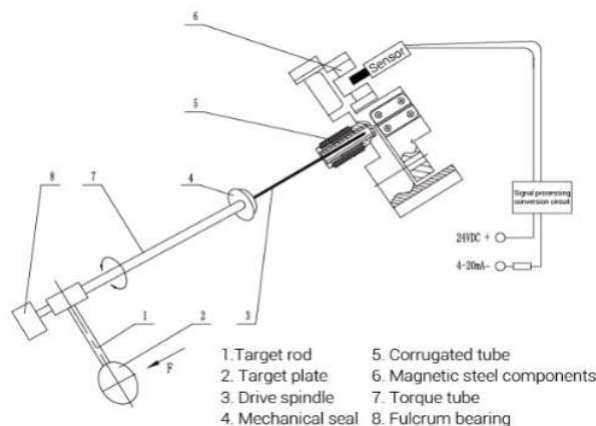


Fig.1: NBLB target flowmeter principle diagram

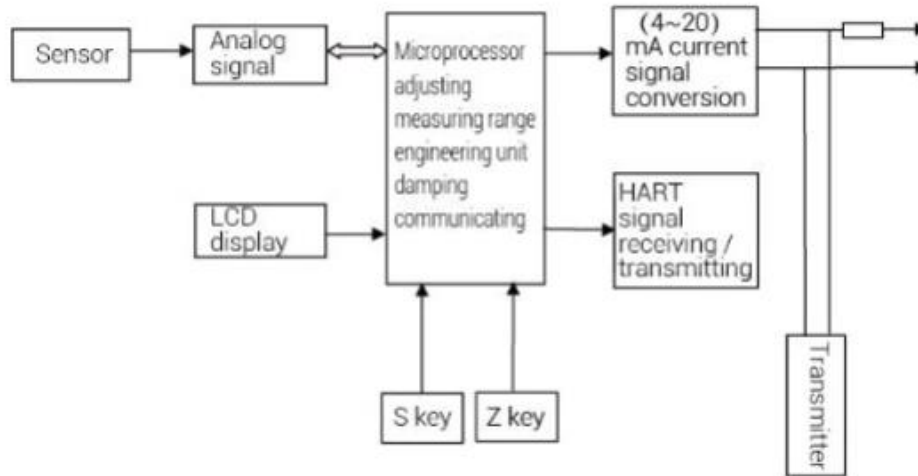


Fig.2: Electrical principle diagram

Technical Parameters

- LCD display: Information about variables is displayed on site
- Output signal: Two wires, 4 ~ 20mA + HART
- Power supply: 12V ~ 30VDC
- On-site and remote configuration function: Through the field magnetic switch, remote handheld or PC plus debug software to read and write and configure various process parameters, variables. Then it out put two wire 4 ~ 20 mA current and load the HART protocol communication parameters and variable value
- The diagnostic information function: Exceed range alarm and fault diagnosis
You can specify the upper and lower limits of the alarm and set the alarm current to 3.8mA or 22mA
- Zero and full calibration function
- With shockproof, anti-electromagnetic interference and other characteristics
- Flange standard: HG/T20592-2009; HG/T20615-2009 ; (or on request)
- Nominal pressure: $\leq 11\text{MPa}$
- Accuracy: $\pm 0.5\%$ 、 $\pm 1.0\%$;
- Ambient temperature: $-40^{\circ}\text{C} \sim 80^{\circ}\text{C}$ (when $\leq -20^{\circ}\text{C}$, LCD no display)
- Medium temperature: $-196^{\circ}\text{C} \leq T < +100^{\circ}\text{C}$ (No radiating fin), $100^{\circ}\text{C} \leq T \leq 400^{\circ}\text{C}$ (with radiating fin)
- Damping time selection: 0s~32s
- Explosion-proof: intrinsically safe Ex ia II CT5 Ga/ Explosion isolation Ex d II CT5/T6 Gb
- IP Rating: IP66

- Range ratio: 5: 1
- Range: minimum measurable 3m³/h (20°C water)
- Power supply inlet: 2 *M20×1.5(female thread) or on request

Model Selection Table

Model	Code			Contents	
NBLB-				NBLB TARGET FLOW METER	
	3				PN16(1.6MPa)
	4				PN20(Class150)
	5				PN25(2.5Mpa)
	6				PN40(4.0MPa)
	7				PN50(Class300)
	8				PN63(6.3Mpa)
	9				PN100(10.0Mpa)
	10				PN110(Class600)
	B				Straight pipe type
	C				Plug-in type
		4	13		DN25 1"
		6	15		DN40 1-1/2"
		7	16		DN50 2"
		9	18		DN80 3"
		10	19		DN100 4"
		21	52		DN150 6"
		22	53		DN200 8"
		23	54		DN250 10"
			Other nominal diameters are filled in according to the actual code of Sage X3 system
		/			
				i	Intrinsically safe type
				d	Explosion isolation type
				1	Measuring chamber material:20
				2	Measuring chamber material:304
				3	Measuring chamber material:316
				4	Measuring chamber material:316L
				Other materials are filled in according to the actual code of Sage X3 system
				D	Ambient temperature: -196°C ≤ T < +100°C
				G	Ambient temperature: +100°C ≤ T ≤ +400°C

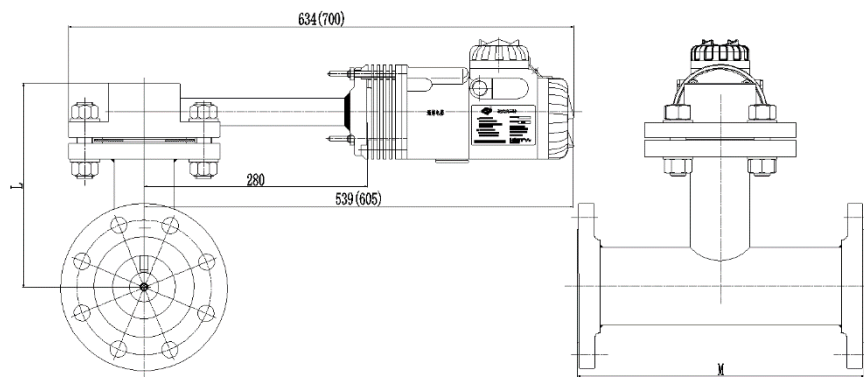
NBLB-	<input type="checkbox"/>	<input type="checkbox"/>	<input type="checkbox"/>	/	<input type="checkbox"/>	<input type="checkbox"/>	<input type="checkbox"/>	
-------	--------------------------	--------------------------	--------------------------	---	--------------------------	--------------------------	--------------------------	--

Example:

NBLB-3B7/i2D is Torsional target flow meter, nominal pressure is 1.6MPa, straight pipe type, nominal diameter is DN50, intrinsically safe type, measuring chamber material is 304, medium temperature $-196^{\circ}\text{C} \leq T < 100^{\circ}\text{C}$.

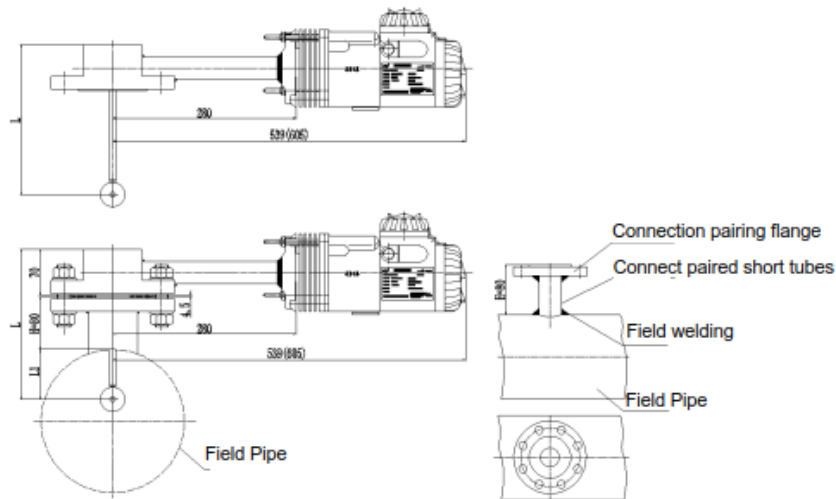
Outline Drawing and Installation

The sizes in parentheses in the drawings are products with heat insulation sleeve (unit: mm)



Drawing. 3:Double clip type

Nominal diameter	L(mm)	M(mm)
DN25	213.5	250
DN40	198.5	280
DN50	204.5	300
DN80	219	350
DN100	228.5	400
DN150	234	500
DN200	244	600
DN250	271	600



Drawing.4: Straight pipe type

Pipe nominal diameter	L1(mm)	L(mm)	Note
≤ DN200	Pipe radius	154.5+ Pipe radius	H=80mm when PN≤6.3MPa.
> DN200	100	254.5	When PN>6.3 MPa, H is specified by design.

Note: According to the pressure class and the flange standard implemented, the user matches the connection matching flange. If there are special installation requirements, please specify in advance.

*The straight pipe section upstream of the instrument should be not less than 10 times the nominal diameter and the downstream not less than 5 times the nominal diameter. The instrument should not be installed in an environment with severe vibration. Bypass pipes should be installed at both ends of the instrument.

Safety barrier recommendation table

Safety barrier recommendation table	
Shanghai I.S. Instruments & System Co.,Ltd	LS4041 -Ex
Germany P+FCompany	KFD2-STC3-Ex1
Shanghai Automation Instrument Institute	GS8041-Ex GS8045-Ex
Dandong Top Electronics Instrument Co.,Ltd	TP5041-Ex TP5045-Ex
Longfei Group Corporation in China	LF1045
England	MTL3046B MTL5042 MTL706 ⁺

Ordering Information

Please Fill In The Blank When Ordering.

Model		Tag No	Qty
Operation Condition	Medium		Max Flow kg/h
	Oper. Temp.	°C	m ³ /h or Nm ³ /h
	Oper. Press	Mpa	Normal Flow kg/h
	Medium Density	kg/m ³ Or kg/Nm ³	m ³ /h or Nm ³ /h
	Dynamic Vis.	Mpa.s or mm ² /s	Min. Flow kg/h
			m ³ /h or Nm ³ /h
	Flange Standard		Pipe State <input type="checkbox"/> Horizontal Pipe <input type="checkbox"/> Vertical Pipe
Note			